

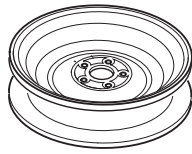


INSTALLATION INSTRUCTIONS

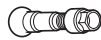
Accessory SPARE TIRE KIT P/N: 06421-TZ3-A90ZA (18")	Application 2017 TLX (2WD ADV & ALL AWD)	Publications No. VERSION 1
		Issue Date MAY 2016

PARTS LIST

Spare tire rim



Valve stem



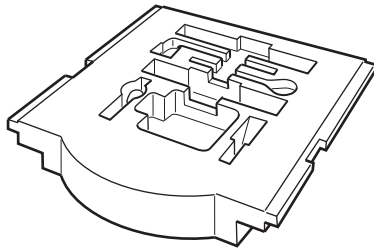
Spare tire caution label



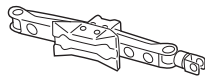
Hold-down bolt



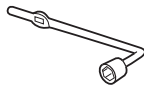
Tool box



Jack



Wheel nut wrench/Jack handle



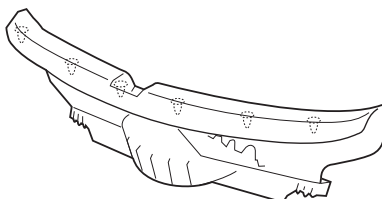
Extension bar



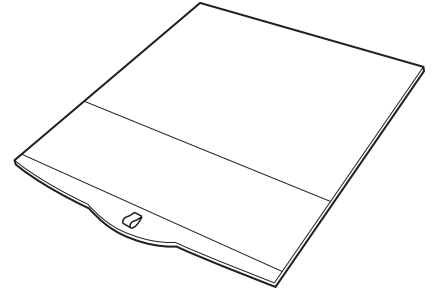
Tire and load information label



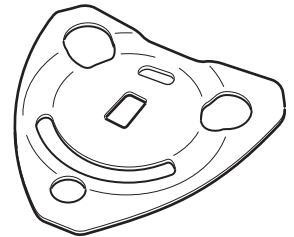
Panel lining



Trunk floor cover



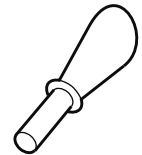
Spare tire spacer



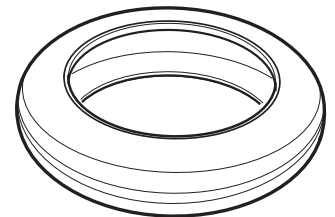
Eye bolt
(may not be used)



Emergency nozzle set
(may not be used)



Spare tire (T135/80D17)
(sold separately)



TOOLS AND SUPPLIES REQUIRED

Isopropyl alcohol

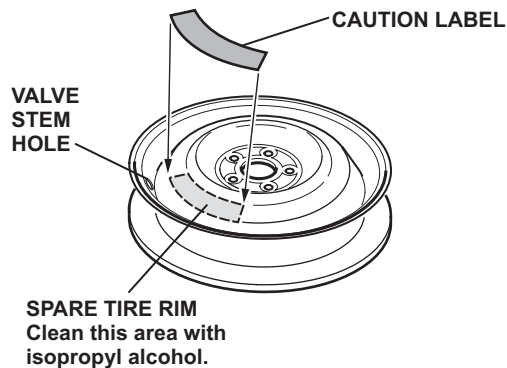
Shop towel

INSTALLATION

Client Information: The information in this installation instruction is intended for use only by skilled technicians who have the proper tools, equipment, and training to correctly and safely add equipment to your vehicle. These procedures should not be attempted by “do-it-yourselfers.”

NOTE:

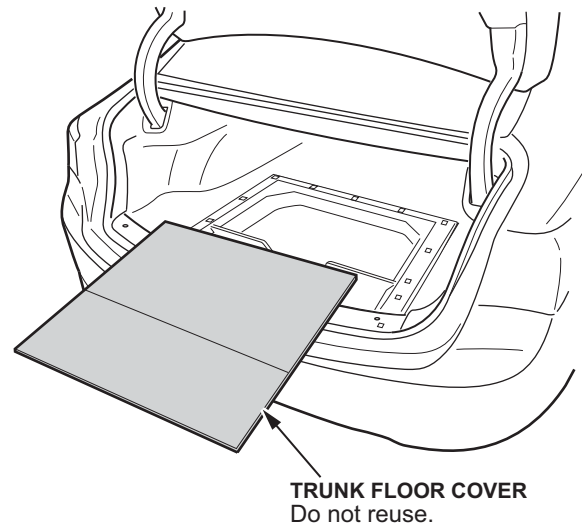
- Be careful not to scratch the interior trim when installing the spare tire kit.
 - Install the correct size tire.
 - Give all the removed parts to your client.
1. Using isopropyl alcohol on a shop towel, clean the spare tire rim in the area shown.



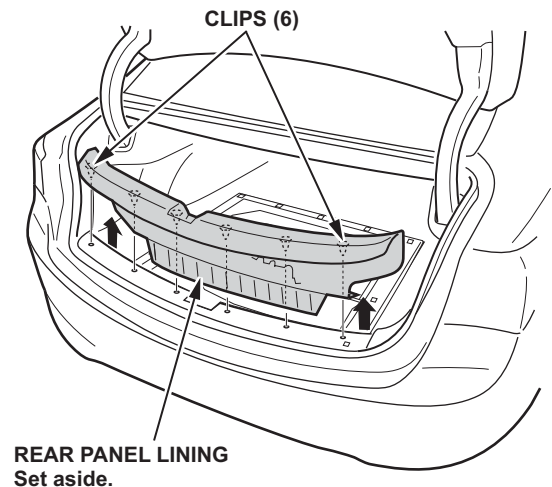
2. Remove the adhesive backing from the caution label, and attach the caution label to the spare tire rim in the area shown.
3. Using a tire changer, install the spare tire (sold separately) onto the spare tire rim according to the operation manual instructions. Inflate the spare tire to 60 psi (420 kPa).

Installing the Spare Tire Kit

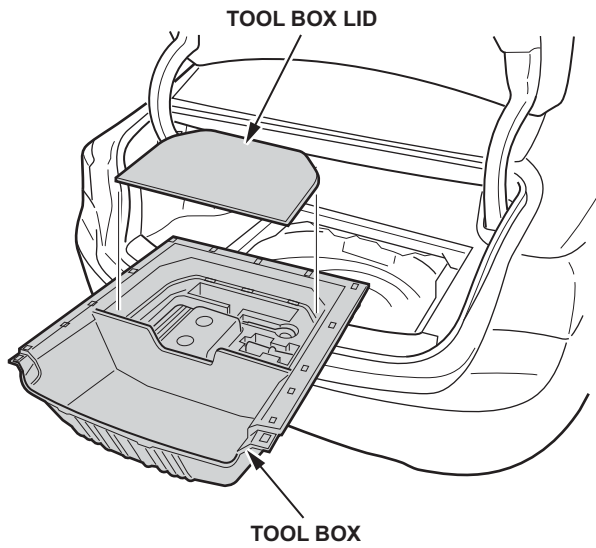
4. Remove the trunk floor cover and set it aside; it will not be reused.



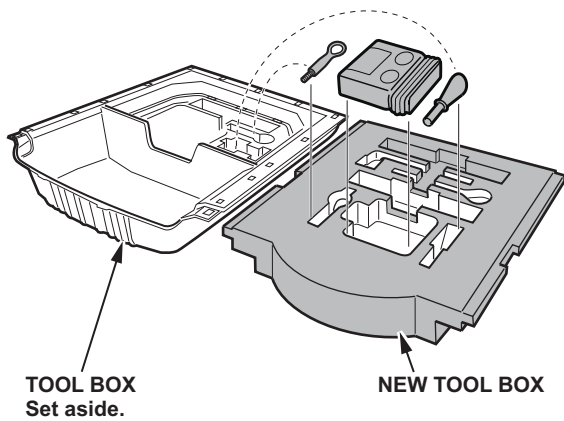
5. Remove the rear panel lining and set it aside; it will not be reused.



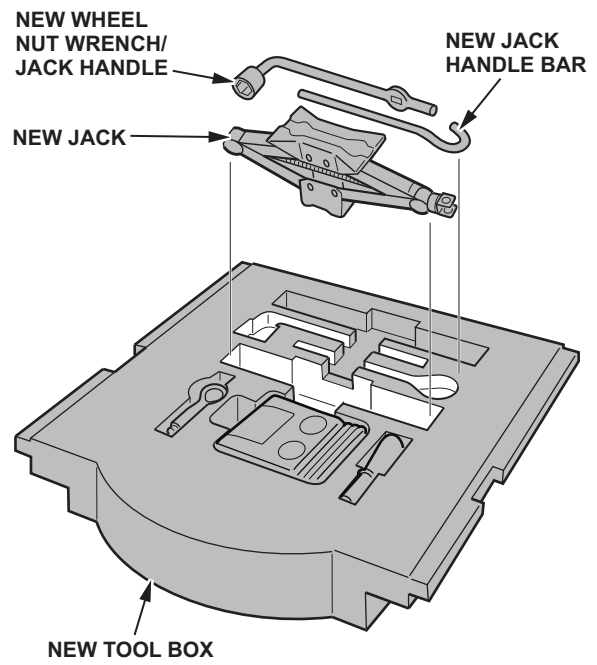
- Remove the tool box and set it aside; it will not be reused.



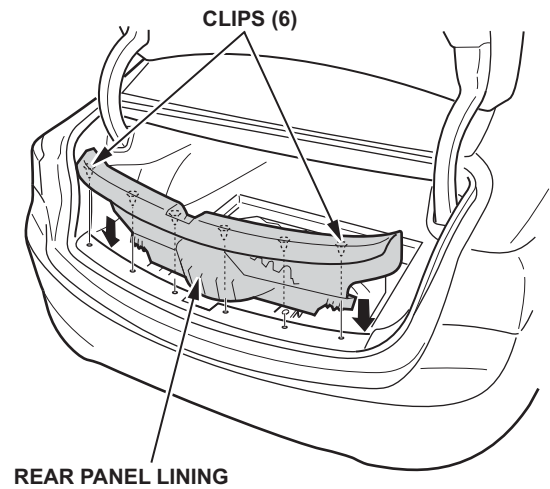
- Transfer the tools from the old tool box to the new tool box.



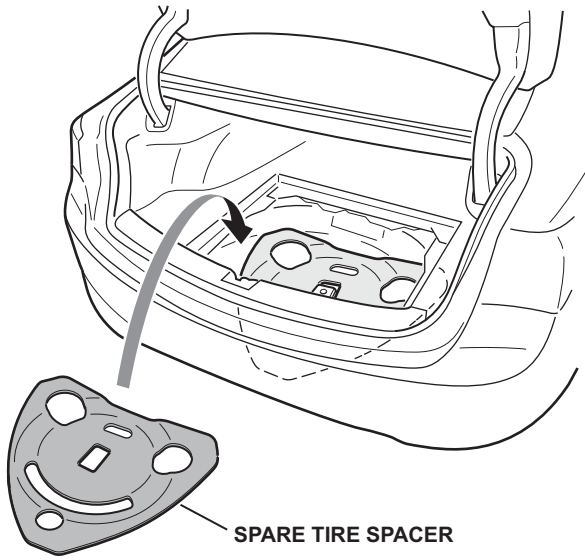
- Install the jack, the wheel nut wrench/jack handle, and the extension bar into the new tool box.



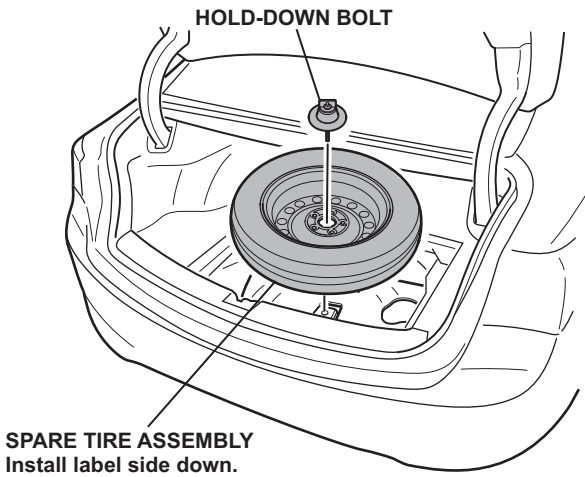
- Install the new panel lining.



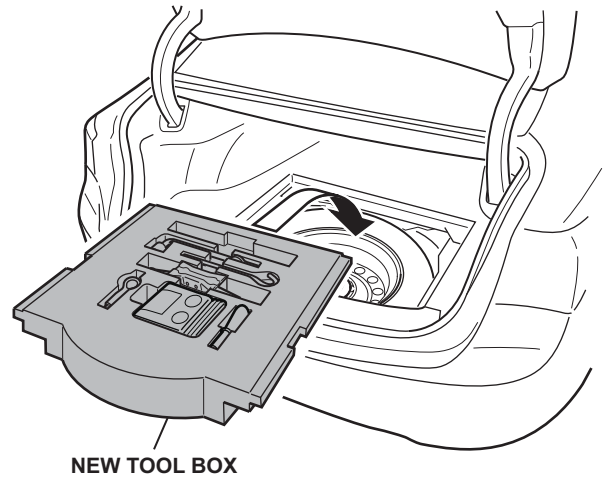
10. Place the spare tire spacer with the arrow facing up and pointing towards the front of the vehicle.



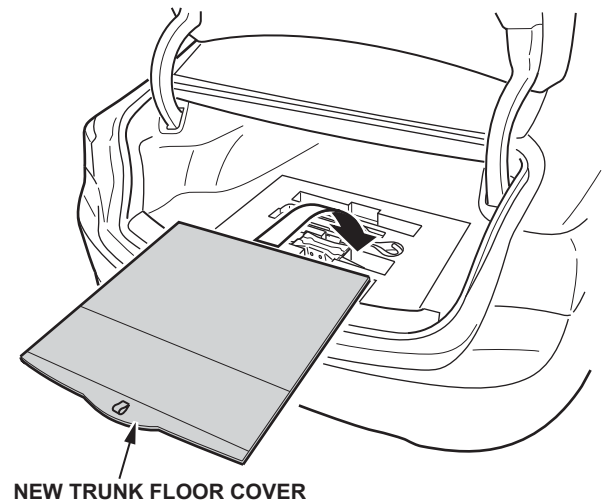
11. Install the spare tire assembly into the spare tire area (label side down), and secure it to the vehicle using the spare tire bolt provided. Tighten the bolt securely.



12. Place the new tool box into the trunk area over the spare tire in the direction shown.

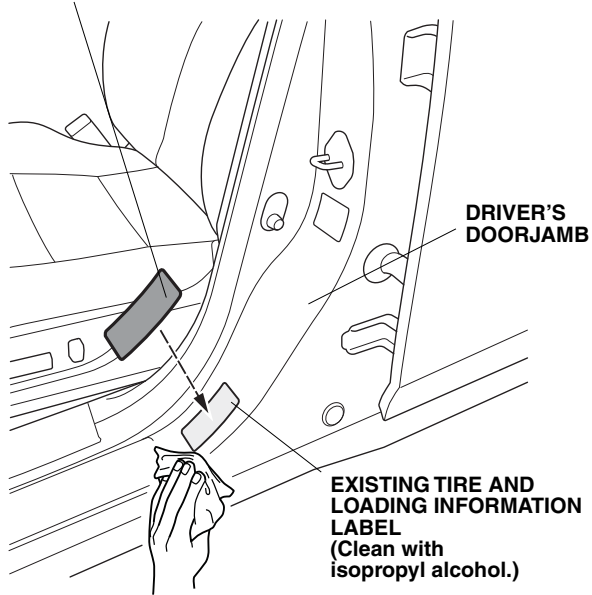


13. Install the new trunk floor cover.



- Using a clean shop towel and isopropyl alcohol, clean the **TIRE AND LOADING INFORMATION** label on the driver's doorjamb.

**NEW TIRE AND LOADING
INFORMATION LABEL**



- Remove the adhesive backing from the new **TIRE AND LOADING INFORMATION** label and apply it over the existing label.